

PLEASE CHECK WWW.MOLEX.COM FOR LATEST PART INFORMATION

Part Number: **0473791000**

Status: **Active**

Description: 1.27mm (.050") Pitch External Improved Metal-Shielded Serial ATA Plug, Unmating Height 7.70mm (.303"), 0.38µm (15µ") Gold (Au) Plating, Top Surface Mount with Shell, Right Angle, 7 Circuits, with Vacuum Pick-Up Tape, with non-linear peg position, Lead Free

Documents:

[3D Model](#)

[Drawing \(PDF\)](#)

[Product Specification PS-47082-001 \(PDF\)](#)

[RoHS Certificate of Compliance \(PDF\)](#)

General

Product Family	I/O Connectors
Series	47379
Application	Wire-to-Board
Component Type	Plug
Product Name	External Serial ATA
Type	N/A

Physical

Boot Color	N/A
Circuits (Loaded)	7
Circuits (maximum)	7
Gender	Male
Keying to Mating Part	Yes
Lock to Mating Part	Yes
Material - Metal	Brass
Material - Plating Mating	Gold
Material - Plating Termination	Tin
Number of Rows	1
Orientation	Right Angle
PC Tail Length (in)	0.000 In
PC Tail Length (mm)	0.00 mm
PCB Locator	Yes
PCB Retention	Yes
PCB Thickness Recommended (in)	0.051 In
PCB Thickness Recommended (mm)	1.30 mm
Packaging Type	Embossed Tape on Reel
Panel Mount	Yes
Pitch - Mating Interface (in)	0.050 In
Pitch - Mating Interface (mm)	1.27 mm
Pitch - Term. Interface (in)	0.050 In
Pitch - Term. Interface (mm)	1.27 mm
Plating min: Mating (µin)	15
Plating min: Mating (µm)	0.38
Plating min: Termination (µin)	50
Plating min: Termination (µm)	1.27
Polarized to Mating Part	Yes
Polarized to PCB	Yes
Ports	1
Temperature Range - Operating	-35°C to +85°C
Termination Interface: Style	Surface Mount
Waterproof / Dustproof	No

Electrical

Current - Maximum per Contact	1.5A
-------------------------------	------

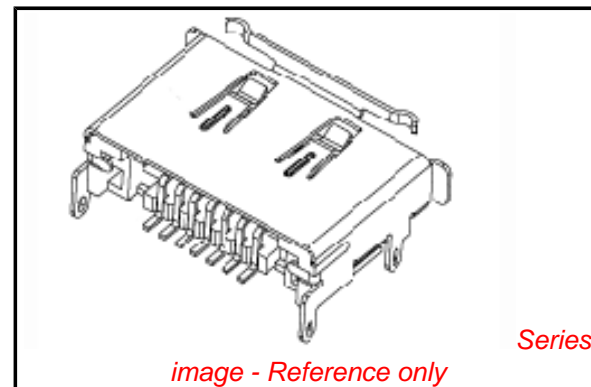


image - Reference only

EU RoHS

**ELV and RoHS
Compliant**

REACH SVHC

Not Reviewed

Halogen-Free

Status

Not Reviewed

China RoHS



**Need more information on product
environmental compliance?**

Email productcompliance@molex.com
For a multiple part number RoHS Certificate of
Compliance, [click here](#)

Please visit the [Contact Us](#) section for any
non-product compliance questions.

Search Parts in this Series

47379Series

Mates With

68782 External Serial ATA Cable
Assemblies

Grounding to Panel	Yes
Shielded	Yes
Voltage - Maximum	15V DC

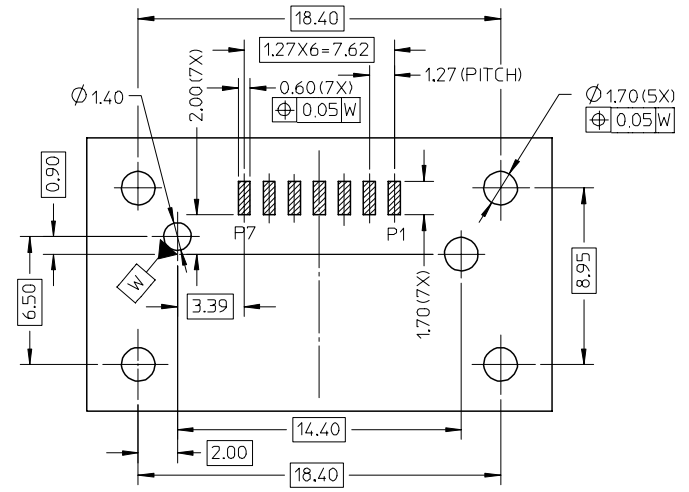
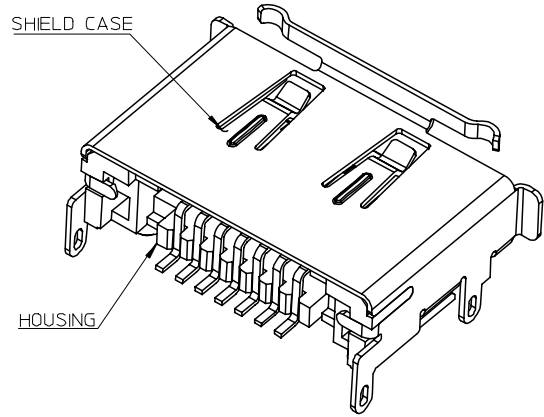
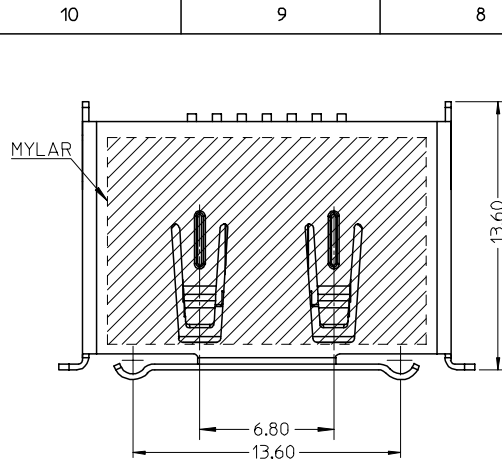
Material Info

Reference - Drawing Numbers

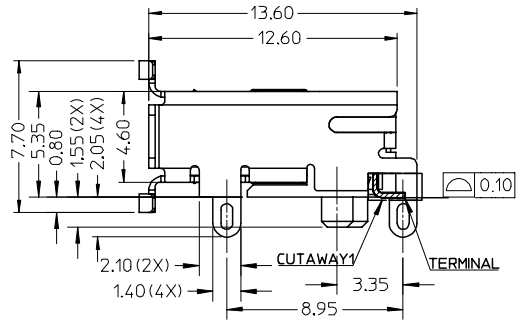
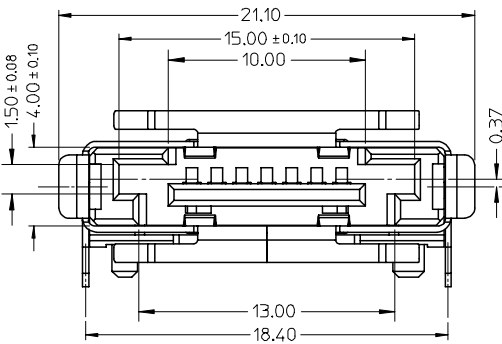
Product Specification	PS-47082-001
Sales Drawing	SD-47379-100

This document was generated on 04/02/2010

PLEASE CHECK WWW.MOLEX.COM FOR LATEST PART INFORMATION



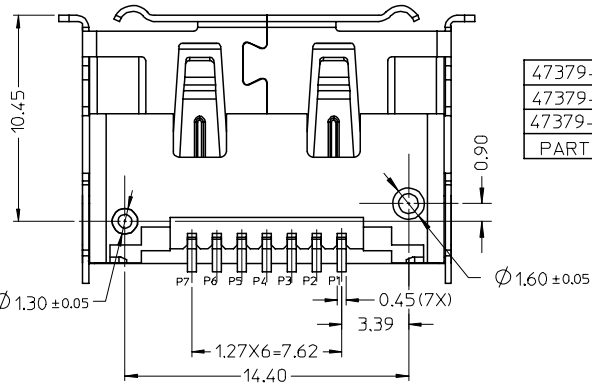
RECOMMEND PCB LAYOUT(CONNECTOR SIDE)
THICKNESS=1.30(ALL TOLERANCE: ±0.05)



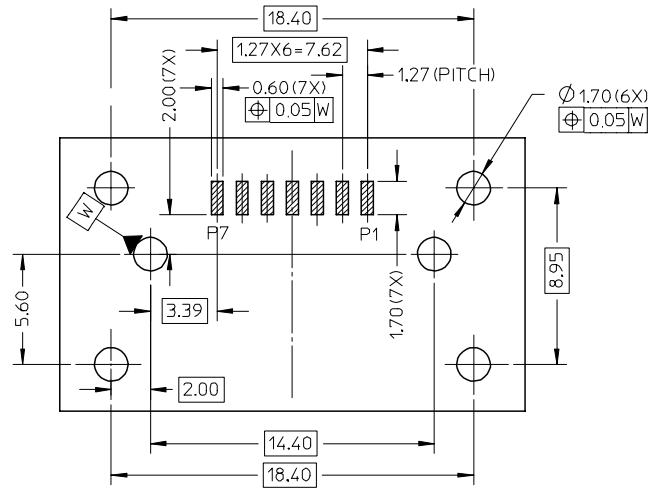
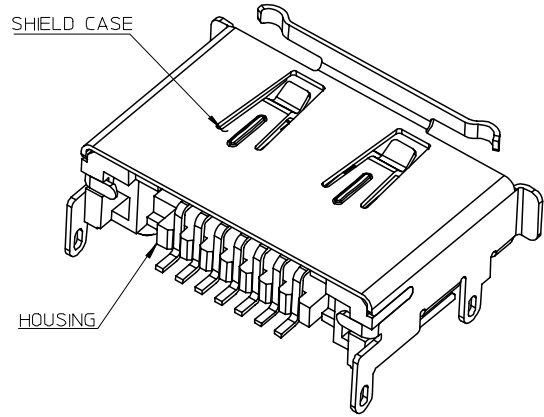
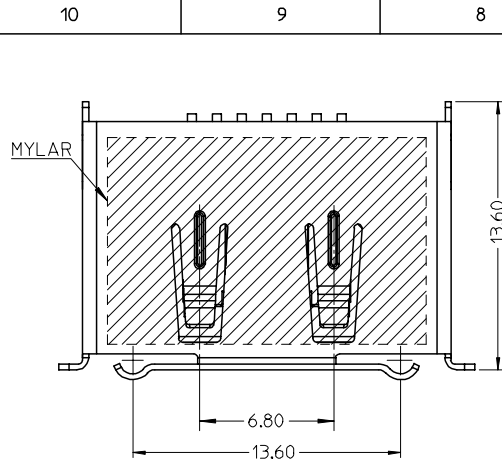
NOTES:

- MATERIAL:
HOUSING: THERMAL PLASTIC.COLOR: BLACK, UL94V-0.
SHIELD CASE: COPPER ALLOY.
TERMIANL: COPPER ALLOY.
- PLATING:
SHIELD CASE: 100~200μ SOLDERABLE NICKEL OVER ALL.
TERMINAL: CONTACT AREA GOLD PLATING(SEE CHART) AND
SOLDER TAIL 50~100μ TIN ALLOY PLATING
OVER 50μ MIN. NICKEL.
- PRODUCT SPEC REFER TO PS-47082-001.
- PACKAGE SPEC REFER TO PK-47379-001.
- PRODUCT MEET STANDARD 1.0 REVISION OF THE SERIAL ATA II:
CABLE AND CONNECTOR VOL 2 SPECIFICATION.
- PRODUCT COMPLIANT TO RoHS DIRECTIVE 2002/95/EC AND ELV 2000/53/EC.

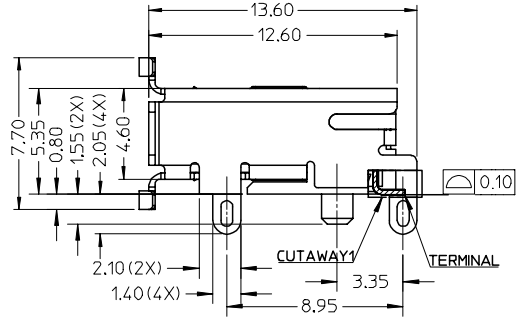
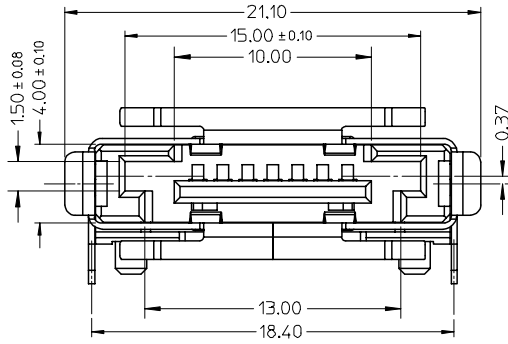
47379-2000	TERMINAL CONTACT AREA PLATED 30μ GOLD
47379-1000	TERMINAL CONTACT AREA PLATED 15μ GOLD
47379-0000	TERMINAL CONTACT AREA PLATED GOLD FLASH
PART NO.	DESCRIPTION



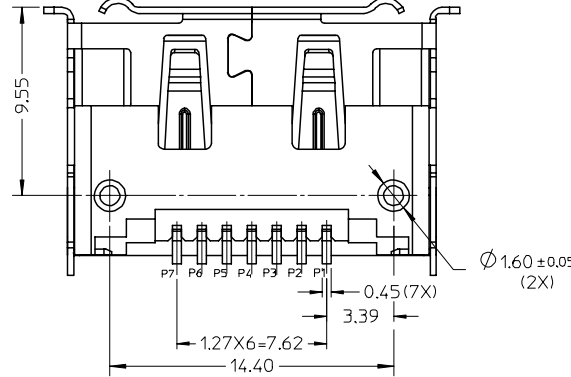
REVISED	EC NO:	2007/04/30	QUALITY SYMBOLS ▽=0 △=0	GENERAL TOLERANCES (UNLESS SPECIFIED)		DIMENSION STYLE MM ONLY		SCALE 1:1	DESIGN UNITS METRIC	THIRD ANGLE PROJECTION	
	DRWNG:GLLI	2007/05/04		mm	INCH	DRAWN BY DIXON LI	DATE 2005/12/23	TITLE EXTERNAL SATA PLUG SMT WITH SHELL TOP MOUNT TYPE			
	CHKD:	2007/05/04		4 PLACES ± --- ± ---		CHECKED BY JENNY ZENG	DATE 2005/12/23	MOLEX INCORPORATED			
	APPR: JNCHEN	2007/05/09		3 PLACES ± --- ± ---		APPROVED BY GRATE MA	DATE 2005/12/23		DOCUMENT NO. SD-47379-100		
D	REV	DESCRIPTION	2 PLACES ± 0.2 ± ---		MATERIAL NO.		SHEET NO. 1 OF 3				
			1 PLACE ± 0.25 ± ---		DRAFT WHERE APPLICABLE MUST REMAIN WITHIN DIMENSIONS		SEE CHART				
			ANGULAR ± 3 °		SIZE A3		THIS DRAWING CONTAINS INFORMATION THAT IS PROPRIETARY TO MOLEX INCORPORATED AND SHOULD NOT BE USED WITHOUT WRITTEN PERMISSION				



RECOMMEND PCB LAYOUT (CONNECTOR SIDE)
THICKNESS=1.30 (ALL TOLERANCE: ±0.05)



47379-2100	TERMINAL CONTACT AREA PLATED 30μ GOLD
47379-1100	TERMINAL CONTACT AREA PLATED 15μ GOLD
47379-0100	TERMINAL CONTACT AREA PLATED GOLD FLASH
PART NO.	DESCRIPTION



REVISED	EC NO:	2007/04/30
	DRWG:GLL	2007/05/04
	CHKD:	2007/05/09
	APPR: JNCHEN	
	REV	DESCRIPTION

QUALITY SYMBOLS	GENERAL TOLERANCES (UNLESS SPECIFIED)
▽=0	mm INCH
▽C=0	4 PLACES ± --- ± ---
	3 PLACES ± --- ± ---
	2 PLACES ± 0.2 ± ---
	1 PLACE ± 0.25 ± ---
	ANGULAR ± 3 °
	DRAFT WHERE APPLICABLE MUST REMAIN WITHIN DIMENSIONS

DIMENSION STYLE		SCALE	DESIGN UNITS	THIRD ANGLE PROJECTION
MM ONLY		1:1	METRIC	
DRAWN BY	DATE	TITLE		
DIXON LI	2005/12/23	EXTERNAL SATA PLUG		
CHECKED BY	DATE	SMT WITH SHELL		
JENNY ZENG	2005/12/23	TOP MOUNT TYPE		
APPROVED BY	DATE	MOLEX INCORPORATED		
GRATE MA	2005/12/23	MOLEX INCORPORATED		
MATERIAL NO.		DOCUMENT NO.	SHEET NO.	
		SD-47379-100	2 OF 3	

SIZE	THIS DRAWING CONTAINS INFORMATION THAT IS PROPRIETARY TO MOLEX INCORPORATED AND SHOULD NOT BE USED WITHOUT WRITTEN PERMISSION	
A3		

10 9 8 7 6 5 4 3 2 1

F

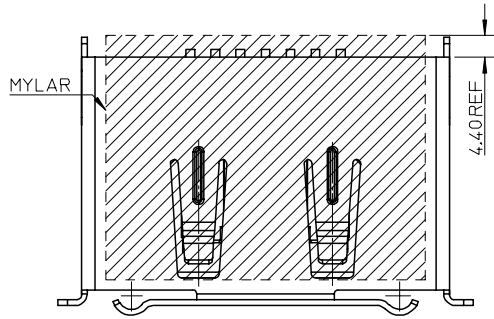
E

D

C

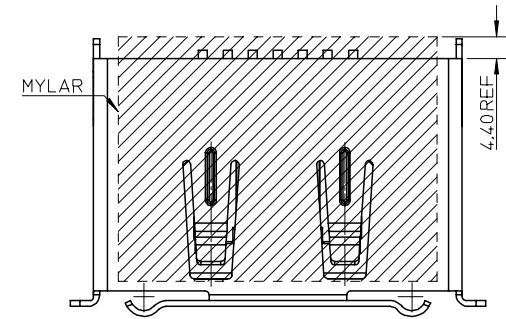
B

A



ALL DIMENSION REFER TO SHEET 1.

47379-2010	TERMINAL CONTACT AREA PLATED 30μ" GOLD
47379-1010	TERMINAL CONTACT AREA PLATED 15μ" GOLD
47379-0010	TERMINAL CONTACT AREA PLATED GOLD FLASH
PART NO.	DESCRIPTION



ALL DIMENSION REFER TO SHEET 2.

47379-2110	TERMINAL CONTACT AREA PLATED 30μ" GOLD
47379-1110	TERMINAL CONTACT AREA PLATED 15μ" GOLD
47379-0110	TERMINAL CONTACT AREA PLATED GOLD FLASH
PART NO.	DESCRIPTION

REVISED EC NO: SH2007-0788 DRWN:GLLI CHKD:JTIAN APPR: JNCHEN	2007/04/30 2007/05/04 2007/05/09	QUALITY SYMBOLS ▽=0 ∇=0	GENERAL TOLERANCES (UNLESS SPECIFIED)		DIMENSION STYLE MM ONLY		SCALE 1:1	DESIGN UNITS METRIC	THIRD ANGLE PROJECTION			
			4 PLACES ± --- ± --- 3 PLACES ± --- ± --- 2 PLACES ± 0.2 ± --- 1 PLACE ± 0.25 ± --- ANGULAR ± 3 °	mm INCH	DRAWN BY DIXON LI CHECKED BY JENNY ZENG APPROVED BY GRATE MA	DATE 2005/12/23 2005/12/23 2005/12/23	TITLE EXTERNAL SATA PLUG SMT WITH SHELL TOP MOUNT TYPE					
			DRAFT WHERE APPLICABLE MUST REMAIN WITHIN DIMENSIONS		SEE CHART		MOLEX INCORPORATED		DOCUMENT NO. SD-47379-100		SHEET NO. 3 OF 3	
					THIS DRAWING CONTAINS INFORMATION THAT IS PROPRIETARY TO MOLEX INCORPORATED AND SHOULD NOT BE USED WITHOUT WRITTEN PERMISSION							

9 8 7 6 5 4 3 2 1